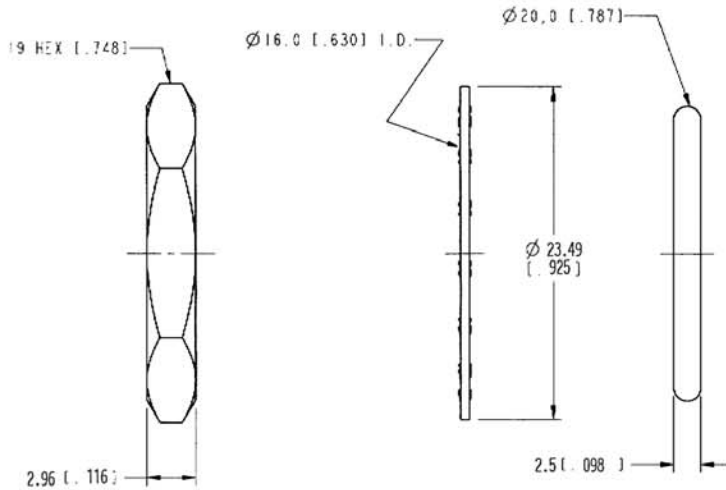


NOTES:

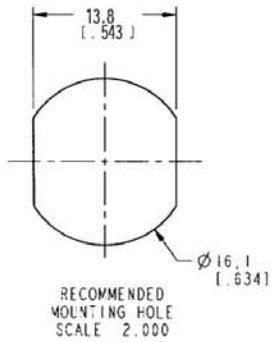
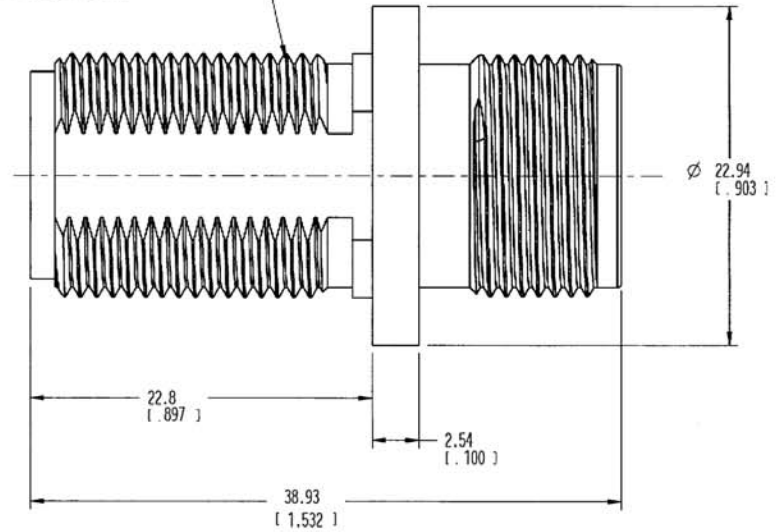
- 1. MATERIALS OF CONSTRUCTION:
- BODY, HOUSING, HEX NUT, - BRASS (Q0-B-626), NICKEL PLATED
- CONTACT PIN - PHOSPHOR BRONZE, GOLD PLATED
- INSULATOR - TEFLON PER MIL-P-19468
- GASKET - SILICONE RUBBER, COLOR RED
- LOCKWASHER - BRASS (Q0-B-613), NICKEL PLATED



SCALE 1.000



.625-24UNEF-2A THREAD REF.  
TYP. BOTH ENDS



CUSTOMER OUTLINE DRAWING  
FOR REFERENCE ONLY

|                |               |          |                                       |   |
|----------------|---------------|----------|---------------------------------------|---|
| MATERIAL       | DRAWN         | DATE     | TITLE                                 | <b>WSI</b><br>WINGSUN INTERCONNECTS (TAIWAN) INC. |
|                | C. McGRATH    | 11/20/00 |                                       |   |
| REFERENCE      | ENGINEER      | DATE     | 'N' (F) TO (F)<br>BULKHEAD<br>ADAPTOR | SCALE: 3.0:1 SHEET 2 OF 2                         |
|                | O. BARTHELMES | 11/20/00 |                                       |   |
| GEN# ASSYF41_N | APPROVED      | DATE     | CAD FILE                              | CODE ID   |
|                |               |          | H:\VWWS-NKKY                          | B   |
|                |               |          | DWG SIZE                              | DRAWING NO.                                       |
|                |               |          | B                                     | WS-NKKY   |
|                |               |          |                                       | REV A   |